

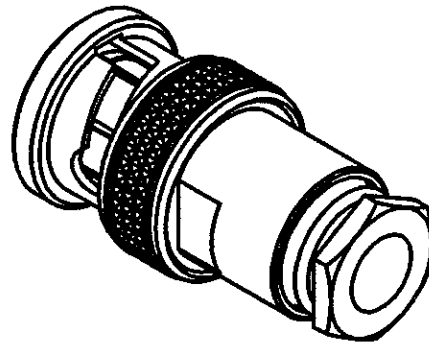
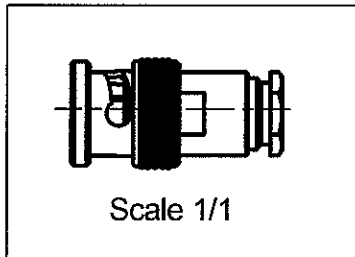
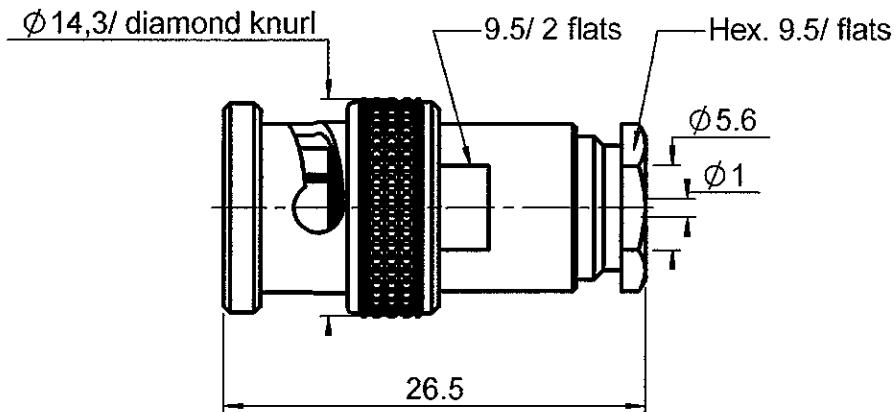
RP BNC STRAIGHT PLUG CLAMP TYPE

R300.141.030

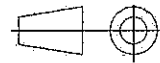
CABLE 5/50

Series :

REV.POLARITY



All dimensions are in mm.



COMPONENTS	MATERIALS	PLATING (μm)
BODY	BRASS	NICKEL 2
CENTER CONTACT	BERYLLIUM COPPER	SILVER 5
OUTER CONTACT		
INSULATOR	PTFE	
GASKET	SILICONE	
OTHERS PARTS	BRASS	NICKEL 2
-	-	-
-	-	-

Issue : 0538 A

In the effort to improve our products, we reserve the right to make changes judged to be necessary.



RP BNC STRAIGHT PLUG CLAMP TYPE

R300.141.030

CABLE 5/50

Series :

REV.POLARITY

PACKAGING

Standard	Unit	Other
100	'W' option	Contact us

SPECIFICATION

ELECTRICAL CHARACTERISTICS

Impedance		50 Ω
Frequency		0-4 GHz
VSWR	1.2 +	0.000 x F(GHz) Maxi
Insertion loss		0.015 √F(GHz) dB Maxi
RF leakage	- (57 - F(GHz) dB Maxi
Voltage rating		500 Veff Maxi
Dielectric withstanding voltage		1500 Veff mini
Insulation resistance		5000 MΩ mini

CABLE ASSEMBLY

Stripping	a	b	c	d	e	f
mm	2.50	7.00	0.00	0.00	3.00	0.00

Assembly instruction : **Clamp 03**

Recommended cable(s)

- RG 141
- RG 58
- KX 15
- RG 223
- KX 23
- RG 142 FTX

Characteristics indicated on this data sheet are those that can be achieved with the highest performance cable. Intrinsic limitations of the cable may diminish the performance of the assembly

Cable retention

- pull off **90** N mini
- torque **NA** N.cm

MECHANICAL CHARACTERISTICS

Center contact retention

Axial force – Mating end	NA N mini
Axial force – Opposite end	NA N mini
Torque	NA N.cm mini

Recommended torque

Mating	N.cm
Panel nut	N.cm
Clamp nut	N.cm
A/F clamp nut	9.500 mm

Mating life	500 Cycles mini
Weight	12.500 g

TOOLING

Part Number	Description	Hexagon
.	.	.

OTHER CHARACTERISTICS

ENVIRONMENTAL

Operating temperature	-65/+165 °C
Hermetic seal	Atm.cm3/s
Panel leakage	

Issue : 0538 A

In the effort to improve our products, we reserve the right to make changes judged to be necessary.



RADIALL®